

»SHERPA« E FAMILY TECHNICAL DATA



	»SHERPA« E4	»SHERPA« E6	»SHERPA« E8
TOTAL VEHICLE WEIGHT	4 t	6 t	8 t
1x 40 kWh BATTERY PACK	•	•	
2x 40 kWh BATTERY PACKS		[1]•	[1]•
DRAWBAR PULL	25 kN	35 kN	42 kN



The actual range of applications of the »SHERPA« is checked by Goldhofer prior to order confirmation.

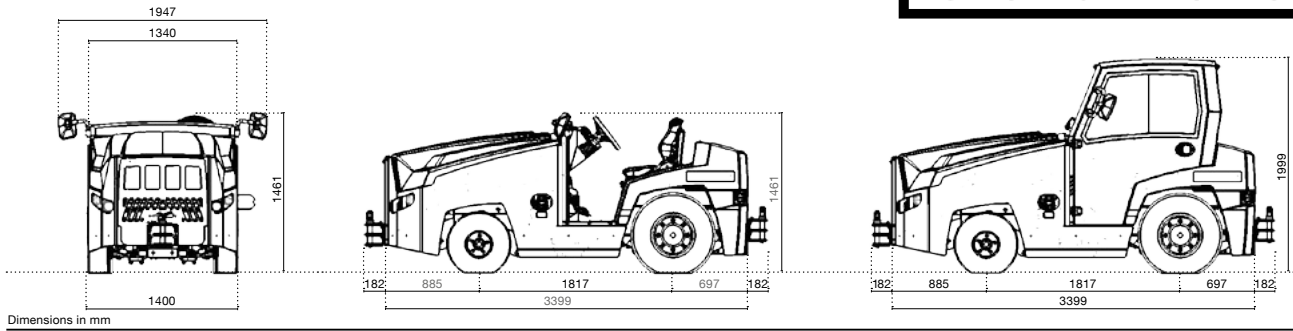
»SHERPA« E FAMILY | 12/2023-EN | METRIC

[1] Suitable for pushbacks






FIND OUT MORE
»SHERPA« FAMILY

MADE FOR YOUR MISSION



Dimensions in mm

	400 V LITHIUM-ION BATTERY PACK	400V LITHIUM-ION BATTERY PACK
 CAPACITY	40 kWh	80 kWh
TOWED LOAD MAX.	≤ 60 t	≤ 80 t
AIRCRAFT MTOW MAX.	up to ^[2] 50 t	up to ^[2] 50 t
INTEGRATED CHARGING SYSTEM	50 kW, DC CCS Type1, CCS Type2 and GB/T	70 kW, DC CCS Type1, CCS Type2 and GB/T
FEATURES	<ul style="list-style-type: none"> + Drive power modes adjustable e.g. ECO Mode + Recuperation of braking energy 	<ul style="list-style-type: none"> + Active thermal management system + All high voltage components are connected by plugs
 TURNING RADIUS	+ 4,120 mm	
DRIVE TRAIN	+ Direct drive	
AXLES	<ul style="list-style-type: none"> + Steering axle, front + Suspension on front and rear axle 	<ul style="list-style-type: none"> + Rear drive axle: Kessler with planetary drives in the wheel hubs
STEERING SYSTEM	+ Front steering	+ Hydraulic steering system
TIRES	+ Front 6.50 R10	+ Rear 7.5 R15 or 215/75 R17.5
BRAKES	<ul style="list-style-type: none"> + Fully hydraulic 2-circuit safety disk brakes + 1-circuit failsafe parking brake 	+ Automatic release and closing of parking brake
 CABLESS BASIC CABIN	<ul style="list-style-type: none"> + Comfortable driver's and passenger's seat with safety belts + Adjustable steering column 	<ul style="list-style-type: none"> + Multi function display + Hazard lights + Emergency stop at driver's place
OPEN CAB OPTION	<ul style="list-style-type: none"> + Top with big front windshield + Wiper-washer system for front 	+ Interior light and mirror
CLOSED CAB OPTION	<ul style="list-style-type: none"> + Top with big front and rear windshield + Lockable doors with sliding windows + Heated rear window with screen wiper 	<ul style="list-style-type: none"> + Ventilation/heating + Wiper-washer system for front and rear windshield
+ OPTIONS EXAMPLES	<ul style="list-style-type: none"> + Onboard charger AC, with 22 kW + Auxiliary vehicle heater ^[3] + Rear window protected (grid) ^[3] + Rotating beacon + Trailer power supply (24 V) + Jump start socket 	<ul style="list-style-type: none"> + Front e-type standard tow hitch + Rear remote operated e-type tow hitch + Inching control at the left rear of the tractor + Rockinger rear-coupling (244) + And many more

GOLDHOFER AKTIENGESELLSCHAFT

Donaustrasse 95, 87700 Memmingen/Germany
Web: www.goldhofer.com, E-Mail: info@goldhofer.com

^[2] Depending on friction coefficient and »SHERPA« weight

^[3] Only for closed cabin version

SALES

Telephone: +49 8331 15-343,
E-Mail: sales-airporttechnology@goldhofer.com

SERVICE AND SPARE PARTS

Telephone: +49 8331 962 99 99, Fax: +49 8331 15-247
E-Mail: service-airporttechnology@goldhofer.com

MADE FOR YOUR MISSION